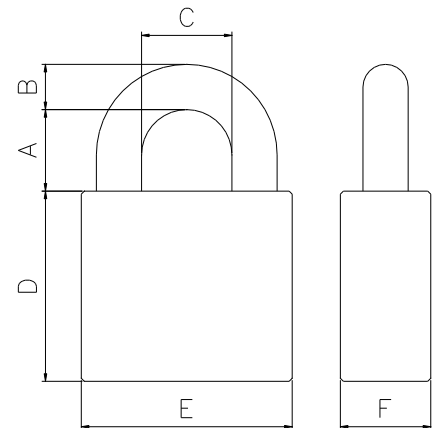
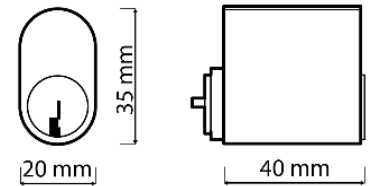




ANCHOR 848-4 Oval IP68 XL

A strong Grade 5 padlock for oval cylinders where the cylinder is protected according to the IP68 standard. Suitable for locking in tougher environments, e.g. containers, warehouses, gates or similar. The padlock is designed for mounting the standard Scandinavian oval cylinder and is supplied with O-rings in the shackle holes and with a tight, fold-out flap over the cylinder. Hermetically sealed. The rubber sealing is delivered in black as standard, but is available in several different colors to simplify the marking of e.g. area, belonging etc. Padlock 848-4 IP68 XL is 10 mm longer in the lock body and ready for the longer electronic cylinders on the market, e.g. iLOQ. Patented product.



- > Padlock body: 70mm hardened steel
- > Shackle: 15mm hardened steel
- > Plating: Chrome
- > Cylinder type: Oval
- > Shackle heights: 27 & 50mm
- > Classification: Class 4 according to SSF 014 ed. 4.
Grade 5 according to EN 12320:2021
IP-class: IP68 Standard: EN 60529:1991 + A1:2000 + A2:2013. IEC 60529:1989 + A1:1999 + A2:2013.

A	B	C	D	E	F
27/50	15	30	87	70	30