

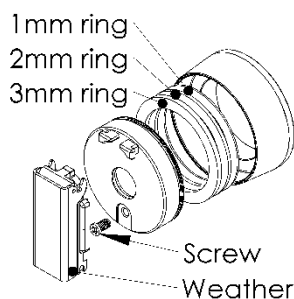
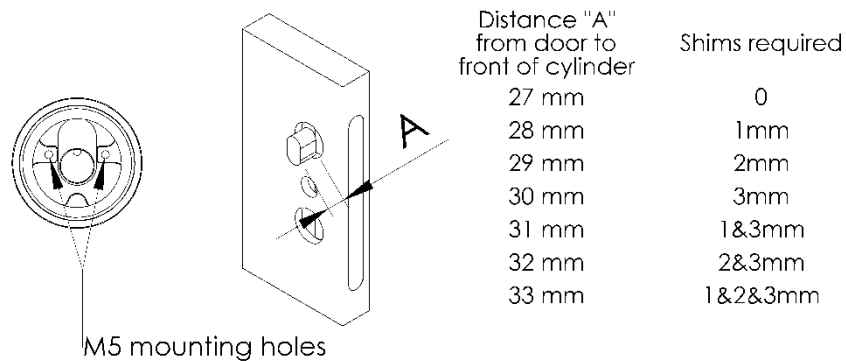


ANCHOR CYLINDER COVER IP68 XL OVAL



Cylinder cover IP68 XL is solid climate protection for iLOQ's cylinder and in those cases where the oval cylinder has a longer protrusion. Effectively protects against road salt, dust, moisture and freezing in challenging environments. The protection is easily mounted as a cylinder ring and has a flexible dimension thanks to the supplied distance rings. The weather cover comes with a black rubber seal as standard. Yellow, blue, red and green seals are available on request.

- > Diameter : 69mm
- > Length: 54mm incl. cover
- > Material: Inside brass, ring in stainless steel
- > Classification: IP-class: IP68 Standard: EN 60529:1991
+ A1:2000 + A2:2013. IEC 60529:1989
+ A1:1999 + A2:2013.



For shims required, measure distance between door and front of cylinder. There should always be a gap of ~1mm between bottom of cylinder-ring and front of cylinder to allow o-ring to compress and seal towards door. Mount and tighten two M5 screws (not included) from inside of door. Open the weather protection and mount the screw, align it with the gap in the cover.