

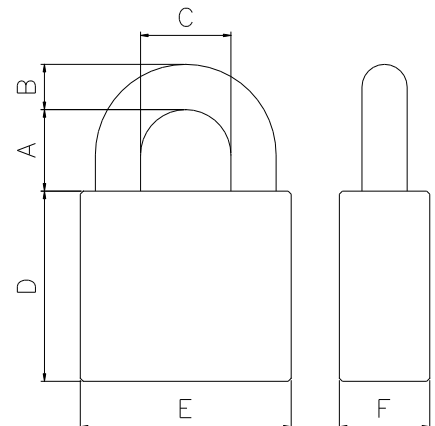
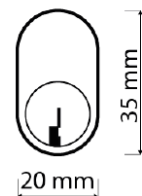


## ANCHOR 510-1 Switch lock

The smallest padlock on the market suitable for oval cylinder. Specially design for infrastructure project, safety switches, appliance cabinets and for locking points where a thinner shackle is required. Unique design with great options. Prepared for mounting Scandinavian oval cylinder. The length of the cylinder is not a limitation and both mechanical and electronic cylinders fits. Patented design.



- > Padlock body: 40mm brass
- > Shackle: 5mm Stainless steel
- > Plating: Solid brass
- > Cylinder type: Oval
- > Shackle height: 20mm och 50mm
- > Classification: Ungraded
  
- > Options:
  - O-ring sealed (EL)
  - Cover black
  - Cover red



A	B	C	D	E	F
20/50	5	18	25	40	22