

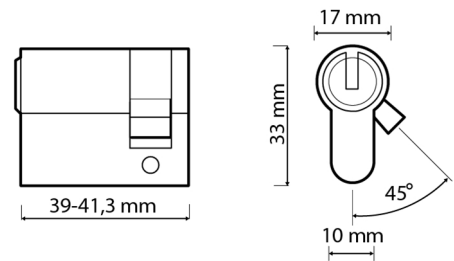


Available in Weather Protected version (WP)

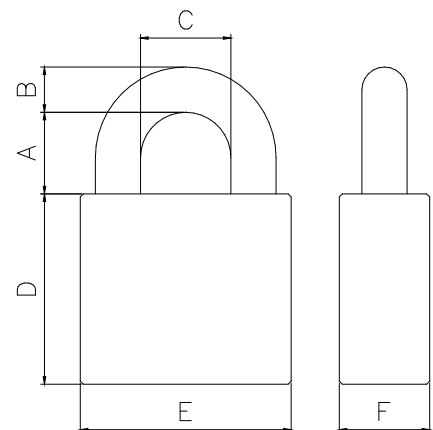


# ANCHOR 580-5 Euro

Grade 5 padlock for very high security applications. The padlock is designed to be used with a single Euro profile cylinder (total length 39-41.3mm). The cylinder is protected by a 5mm thick hardened protection plate. Removable shackle is available as an option for applications with limited space. Another option is the weather protected version with a plastic cover for the body and a protective rubber gasket for the cylinder hole.



- > Padlock body: 80mm hardened steel
- > Shackle: 15mm hardened steel
- > Plating: Chrome
- > Cylinder type: Single Euro profile 30/10
- > Shackle heights: 27mm and 50mm
- > Certification: Class 4 according to SSF 014 rev 3.  
Grade 5 according to EN 12320:2012
- > Options: Removable Shackle (RS)  
Weather protected (WP)



A	B	C	D	E	F
27/50	15	40	71	80	35

