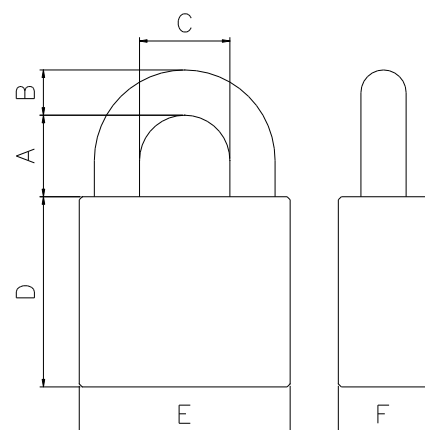


## ANCHOR 375-40 Combination

A well-built combination padlock made entirely of stainless materials. Suitable for locking wardrobes, tool boxes and similar when there is limited safety requirements. 4-digit code.

- > Padlock body: 40mm
- > Shackle: 6mm Stainless steel
- > Plating: Brass on body
- > Cylinder type: Combination
- > Shackle heights: 26mm
- > Classification: Ungraded



A	B	C	D	E	F
26	6	21,5	46	40	16